

Turbo TeeJet® Induction

Air Induction, Large Droplet, Flat Spray Tip



TTI, Turbo TeeJet Induction spray tips demonstrate the continuing commitment by Spraying Systems Co.® to help applicators control drift. The TTI is the latest in a long line of drift control nozzles that assist the operator in the safe, effective application of plant protection chemicals. It is just this commitment that you have come to expect from TeeJet brand spray nozzles.

The new TTI nozzles utilize a unique pre-orifice to inject air into the droplets, while at the same time producing large droplets. It is these large, air-filled droplets that resist the tendency to drift and yet provide good coverage on the target. The pre-orifice can be easily removed for cleaning or inspection.

Based on the patented outlet orifice design of the original Turbo TeeJet® nozzle, the TTI builds on that nozzle's strengths. The advantages of this design include a wide spray angle for superior coverage and overlap, excellent distribution quality, and economical polymer construction. The TTI nozzle retains these critical features and adds the benefit of venturi air-induction into a compact package to create a new nozzle with unique performance capabilities.

The TTI is available in four capacities ranging from 0.25 to 0.5 GPM (0.9 to 1.9 l/min) at 40 PSI (2.75 bar). The nozzles are color-coded to comply with the ISO standard which provides easy identification of capacity. The TTI fits into the CP25597 Quick TeeJet® cap for easy installation and alignment.

The TTI is the right choice when you have to spray and are concerned about the potential of off-target spray drift. It is also the right choice when you are near sensitive areas like susceptible plants, open water or residential areas. There are very few nozzles on the market today that help you control spray drift like the TTI. It is the one nozzle that delivers what the others promise.

Rely on TeeJet – the brand that has been providing you the highest quality spray nozzles for over 70 years. TeeJet: the standard against which all others are measured.

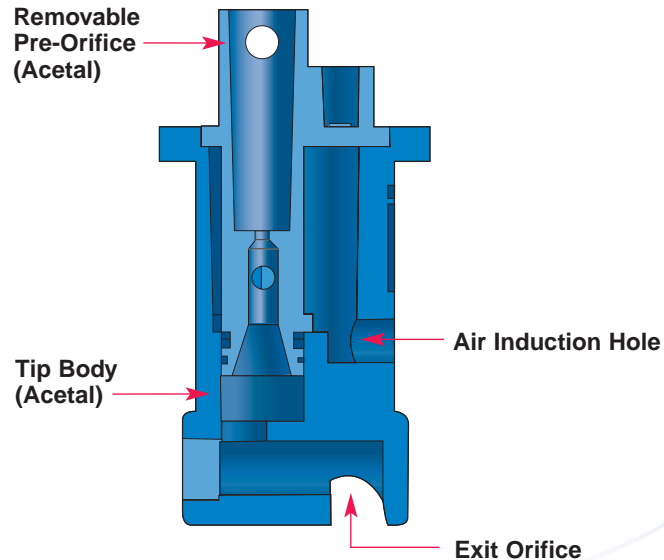




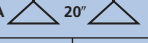

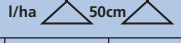
Turbo TeeJet® Induction

TTI Features

- All acetal construction for excellent chemical and wear resistance
- Compact size to prevent tip damage
- Removable pre-orifice for fast and easy cleaning
- Large, round passages to minimize plugging
- Tapered flat spray pattern
- Patented orifice design
- Large droplets are produced through a venturi air aspirator resulting in less drift
- Wider operating pressure range: 15–100 PSI (2–7 bar)
- Fits into CP25597 Quick TeeJet® cap (sold separately)

TTI110 __VP SPRAY TIP (Cross Section View)



	 PSI	CAPACITY ONE NOZZLE IN GPM	GPA 				 bar	CAPACITY ONE NOZZLE IN l/min	l/ha 			
			6 MPH	8 MPH	10 MPH	12 MPH			8 km/h	10 km/h	12 km/h	16 km/h
TTI110025-VP (50 Mesh)	15	0.15	7.4	5.6	4.5	3.7	1.0	0.57	85.5	68.4	57.0	42.8
	20	0.18	8.9	6.7	5.3	4.5	2.0	0.81	122	97.2	81.0	60.8
	30	0.22	10.9	8.2	6.5	5.4	3.0	0.99	149	119	99.0	74.3
	40	0.25	12.4	9.3	7.4	6.2	4.0	1.14	171	137	114	85.5
	60	0.31	15.3	11.5	9.2	7.7	5.0	1.28	192	154	128	96.0
	80	0.35	17.3	13.0	10.4	8.7	6.0	1.40	210	168	140	105
	100	0.40	19.8	14.9	11.9	9.9	7.0	1.51	227	181	151	113
TTI11003-VP (50 Mesh)	15	0.18	8.9	6.7	5.3	4.5	1.0	0.68	102	81.6	68.0	51.0
	20	0.21	10.4	7.8	6.2	5.2	2.0	0.96	144	115	96.0	72.0
	30	0.26	12.9	9.7	7.7	6.4	3.0	1.18	177	142	118	88.5
	40	0.30	14.9	11.1	8.9	7.4	4.0	1.36	204	163	136	102
	60	0.37	18.3	13.7	11.0	9.2	5.0	1.52	228	182	152	114
	80	0.42	21	15.6	12.5	10.4	6.0	1.67	251	200	167	125
	100	0.47	23	17.4	14.0	11.6	7.0	1.80	270	216	180	135
TTI11004-VP (50 Mesh)	15	0.24	11.9	8.9	7.1	5.9	1.0	0.91	137	109	91.0	68.3
	20	0.28	13.9	10.4	8.3	6.9	2.0	1.29	194	155	129	96.8
	30	0.35	17.3	13.0	10.4	8.7	3.0	1.58	237	190	158	119
	40	0.40	19.8	14.9	11.9	9.9	4.0	1.82	273	218	182	137
	60	0.49	24	18.2	14.6	12.1	5.0	2.04	306	245	204	153
	80	0.57	28	21	16.9	14.1	6.0	2.23	335	268	223	167
	100	0.63	31	23	18.7	15.6	7.0	2.41	362	289	241	181
TTI11005-VP (50 Mesh)	15	0.31	15.3	11.5	9.2	7.7	1.0	1.14	171	137	114	85.5
	20	0.35	17.3	13.0	10.4	8.7	2.0	1.61	242	193	161	121
	30	0.43	21	16.0	12.8	10.6	3.0	1.97	296	236	197	148
	40	0.50	25	18.6	14.9	12.4	4.0	2.27	341	272	227	170
	60	0.61	30	23	18.1	15.1	5.0	2.54	381	305	254	191
	80	0.71	35	26	21	17.6	6.0	2.79	419	335	279	209
	100	0.79	39	29	23	19.6	7.0	3.01	452	361	301	226

Tabulation based on spraying water at 70° F (21° C).

Note: Always double check your application rates.

For more information contact your TeeJet representative or your local TeeJet dealer.

Spraying Systems Co.
PO Box 7900
Wheaton, IL 60189-7900
www.teejet.com

TeeJet®

There's No Better Way to Spray